

Size	S	M	L	
Finished Dimensions:				
View A & B Cushion	22 x 22 (56 x 56)	26 x 26 (66 x 66)	30 x 30 (76 x 76)	" (cm)
View A & B Bolster 8" (20 cm) diameter				
length	22 (56)	26 (66)	30 (76)	" (cm)
Material Required: Fabric requirement allows for nap, one-way design or shading. Extra fabric may be needed to match design or for shrinkage.				
Fabric 54" (138 cm) or 60" (152 cm) Wide				
Cushion View A	1¼ (1.15)	1⅝ (1.50)	1⅞ (1.75)	yd (m)
Bolster View A	¾ (0.70)	¾ (0.70)	¾ (0.70)	yd (m)
View B	3⅞ (3.55)	5½ (5.05)	6⅞ (5.60)	yd (m)
Fabric 45" (115 cm) Wide				
Cushion View A	1⅝ (1.30)	1⅝ (1.50)	2⅞ (1.95)	yd (m)
Bolster View A	¾ (0.70)	¾ (0.70)	¾ (0.70)	yd (m)
View B	5 (4.60)	5¾ (5.30)	6⅞ (5.85)	yd (m)
Fusible Interfacing 24" (60 cm) Wide				
View B	⅜ (0.35)	⅜ (0.35)	⅜ (0.35)	yd (m)
Cording ¼" (6 mm) Wide				
Cushion View A	5 (5)	6 (5.50)	7 (6.50)	yd (m)
Bolster View A	1½ (1.40)	1½ (1.40)	1½ (1.40)	yd (m)
View B	16½ (15.50)	19½ (18)	22½ (20.70)	yd (m)

Notions: Thread, VIEW A & B Cushion: Piece of foam or cushion 22" x 22" x 4" (56 cm x 56 cm x 10 cm) for Size S; 26" x 26" x 4" (66 cm x 66 cm x 10 cm) for Size M; 30" x 30" x 4" (76 cm x 76 cm x 10 cm) for Size L, Optional: Ten buttons with shanks for tufting.
VIEW A & B Bolster: Polyester fiberfill VIEW B: Twelve 1" (25 mm) buttons for tabs.



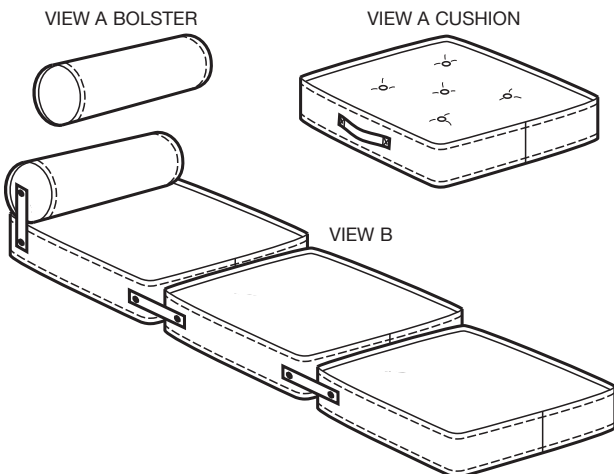
price **3591**

CUSHIONS
S-M-L

Designed for medium to heavy weight woven fabrics
Suggested Fabrics: Denim, twill, cotton, cotton types, velveteen, duck cloth, decorator fabrics.
See pattern envelope for more info.

Square cushions and bolster pillow in three sizes. Cushions have boxing around edges and welt cording on outer edges of top and bottom. View A cushion has carry handle on side. Bolster has welt cording around ends. View B cushions and bolster pillow are held together with button tabs on sides. Button tufting is optional on cushions.

Finished Dimensions:	S	M	L	
Size				
View A & B Cushion	22 x 22 (56 x 56)	26 x 26 (66 x 66)	30 x 30 (76 x 76)	" (cm)
View A & B Bolster 8" (20 cm) diameter				
length	22 (56)	26 (66)	30 (76)	" (cm)



CRAFTS